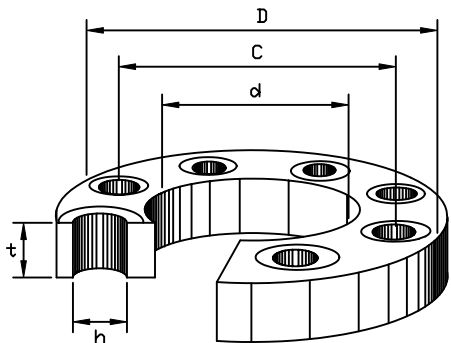


Slip-On

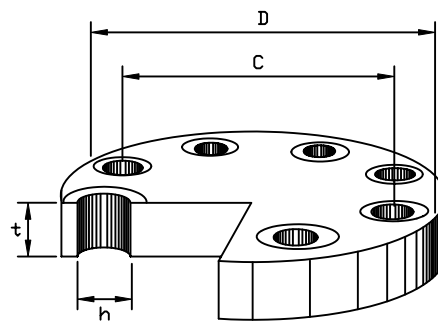
Series DIN 2573 PN6
Series DIN 2576 PN10

Blind

Series DIN 2527 PN6 & PN10



Slip-On Type



Blind Type

Size	DIN PN6								DIN PN10							
	d	D	C	No.	h	t	Weight (kg)		d	D	C	No.	h	t	Weight (kg)	
010	17.7	75	50	4	14	12	0.27	0.30	17.7	90	60	4	14	14	0.52	0.54
015	22.2	80	55	4	14	12	0.30	0.40	22.2	95	65	4	14	14	0.57	0.61
020	27.6	90	65	4	14	14	0.37	0.50	27.6	105	75	4	14	16	0.73	0.79
025	34.4	100	75	4	14	14	0.45	0.60	34.4	115	85	4	14	16	1.13	1.24
032	43.1	120	90	4	14	16	0.78	0.90	43.1	140	100	4	18	16	1.48	1.66
040	49	130	100	4	14	16	0.83	1.00	49	150	110	4	18	16	1.56	1.81
050	61.1	140	110	4	14	16	1.07	1.40	61.1	165	125	4	18	18	1.88	2.23
065	77.1	160	130	4	14	16	1.49	2.00	77.1	185	145	4	18	18	2.60	3.24
080	90.3	190	150	4	18	18	1.99	2.70	90.3	200	160	4	18	20	2.61	3.50
100	115.9	210	170	4	18	18	2.39	3.70	115.9	220	180	8	18	20	3.14	4.60
125	141.6	240	200	8	18	20	3.23	5.20	141.6	250	210	8	18	22	4.77	7.30
150	170.5	265	225	8	18	20	4.41	7.50	170.5	285	240	8	22	22	6.34	10.10
175	-	-	-	-	-	-	-	-	196.1	315	270	8	22	24	6.82	11.80
200	221.8	320	280	8	18	22	6.33	12.20	221.8	340	295	8	22	24	7.53	14.00
250	276.2	375	335	12	18	24	9.45	19.30	276.2	395	350	12	22	26	11.80	22.70
300	327.6	440	395	12	22	24	10.30	24.30	327.6	445	400	12	22	26	13.50	29.50
350	359.7	490	445	12	22	26	14.00	33.20	359.7	505	460	16	22	28	16.40	37.10
400	423.7	540	495	16	22	28	16.90	41.90	423.7	565	515	16	26	32	23.00	52.50
450	462.3	595	550	16	22	30	21.60	53.00	462.3	615	565	20	26	38	29.50	68.80
500	513.6	645	600	20	22	30	23.10	61.90	513.6	670	620	20	26	38	33.50	82.10